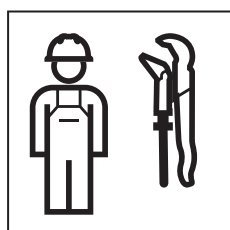


INSTALLATION MANUAL

MONTAGEANLEITUNG
INSTRUCTIONS DE MONTAGE
ISTRUZIONI PER IL MONTAGGIO



972.367.00.0(01)





Water quality

ATTENTION

Damage to device from aggressive disinfectants

Do NOT insert any tablets, fluids, gels or additives containing chlorine, as this substance will corrode/damage cistern parts and VOID WARRANTY. Only potable water with ≤ 4 ppm chlorine concentration in water allowed, including whole house (centralized) water treatments.

Water temperature

ATTENTION

Damage to device from unacceptable water temperature

The water temperature in the cistern must always remain between 0.5°C [33°F] and 25.0°C [77°F] to avoid freezing and condensation that can cause damage to the product and/or property damage.



Product Specifications

Geberit Model No. / Flush volume:

- **111.798.00.2** / 1.6/0.8 gpf (6.0/3.0 lpf)
- **111.597.00.2** / 1.28/0.8 gpf (4.8/3.0 lpf)

For installing valves mounted on two-hole studs for wall-hung washdown WCs with rear water inlet and waste outlet.

For mounting in or in front of drywalls.

For mounting in front of solid walls.

For Geberit actuator plates Sigma.

Fits within minimum $3\frac{1}{2}''$ (80 mm) bare-brick wall or pipe installation.

To achieve the specified flush volume, the wash-down WC for single or dual flush form a third-party supplier must be ANSI-listed.

Approved for use in the US and Canada (cUPC®)

Properties

- Powder-coated steel frame. 400 kg (880lbs), with depth gauge 16 without damage to finished wall or carrier unit
- Shockproof concealed tank, fully insulated against condensation, made of high-density polyethylene (HDPE)
- Backflow-preventing fill valve

Warranty

Limited lifetime warranty on tank and carrier.
10 year warranty on fill valve and flush valve.

Material Determination

Recommended material for wall surface construction:

- Gypsum / green board
- Cement board
- Tile backer board
- Ceramic tile board

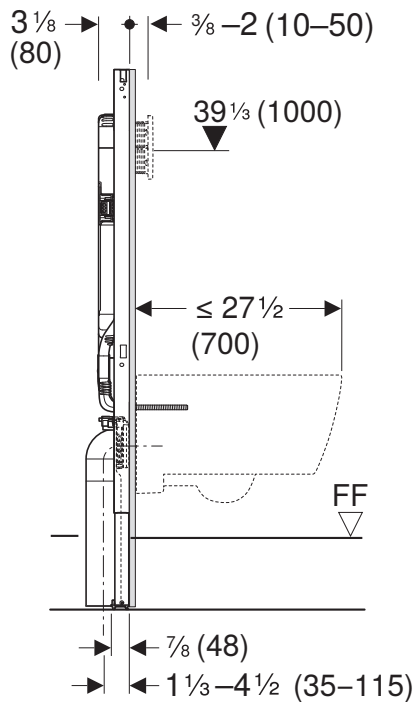
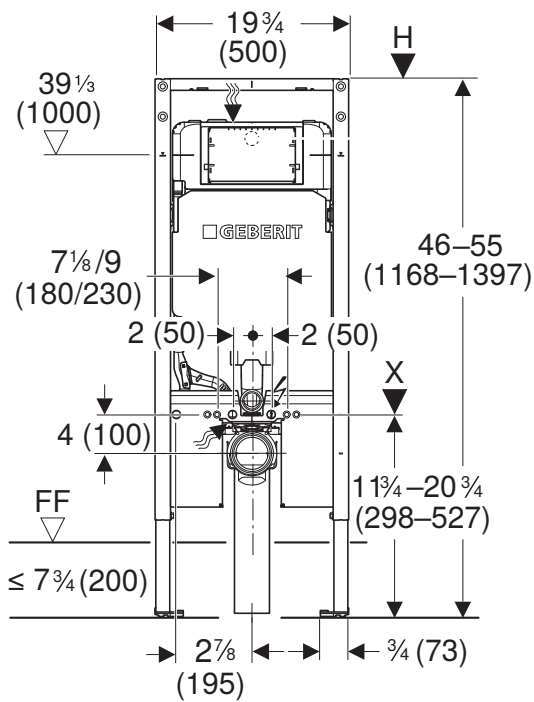


Minimum covering thickness
 $\frac{3}{8}''$ (10 mm).

Maintenance recommendations

Geberit recommends conducting biennial inspections of cistern internal components including supply stop (angle valve), supply hose, filling (float) valve and flushing valve.

- ENSURE moving parts are free to move without binding or misalignment.
- TIGHTEN any water connections that feel loose.
- REPLACE supply hose if it shows any signs of wear or discoloration of the external braiding.
- CLEAN or REPLACE flush valve seal if it shows any signs wear, discoloration, or other damage.



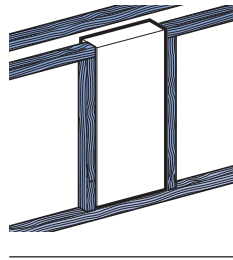
Connection of waste outlet to drain pipe

Supplied fitting is HDPE and cannot be glued.

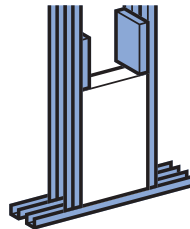
Note: Supplied coupling connects to 3" plastic drainage pipes only. To connect supplied waste bend to other materials, purchase alternate coupling, with one end for 3" plastic.



A wooden stud construction (A) or metal stud construction (B) measuring 2 × 4" is required for mounting the installation element.

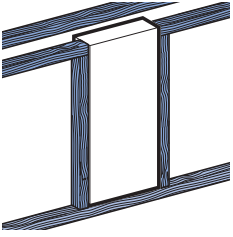


➔ **1 A** 4

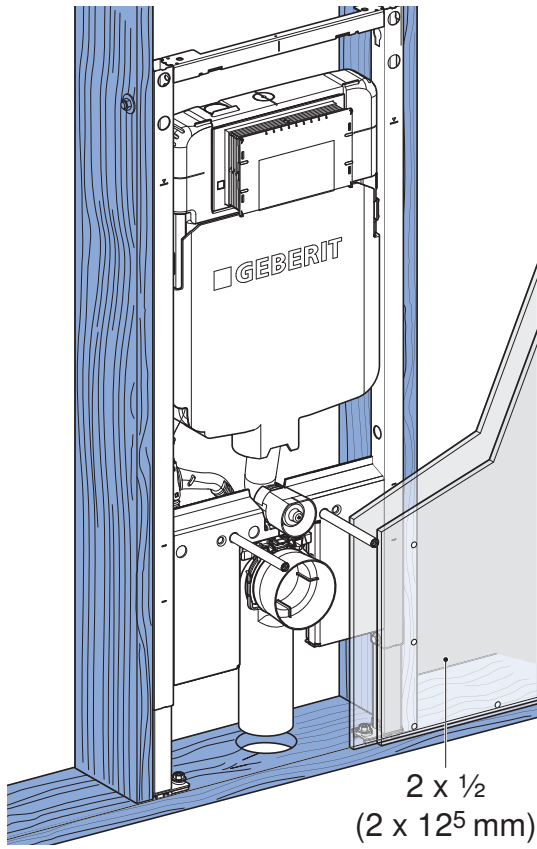


➔ **1 B** 6

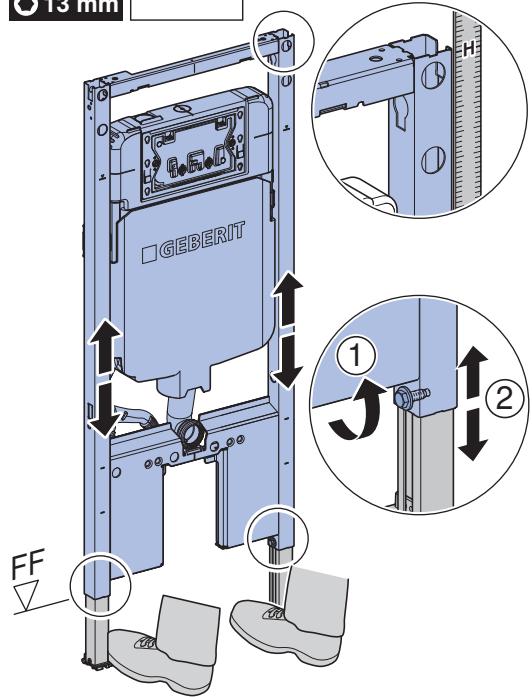
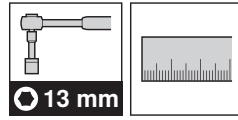
1 A



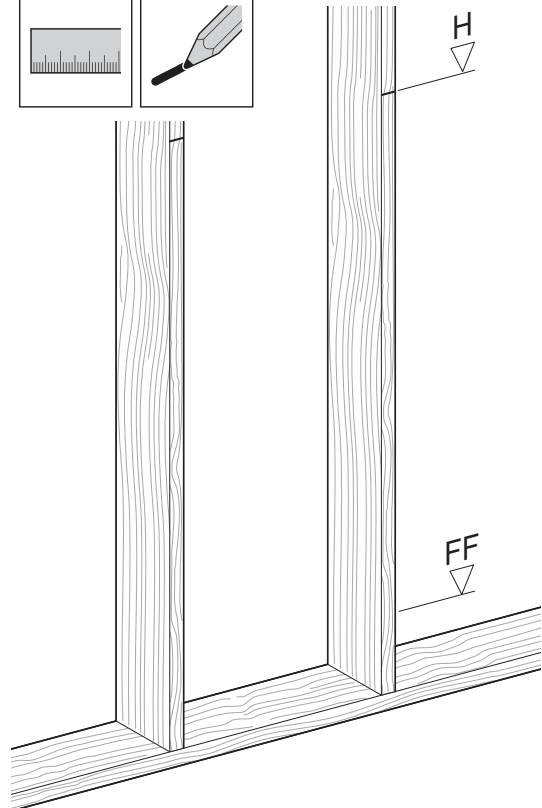
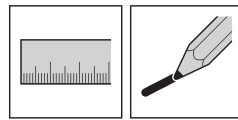
✓



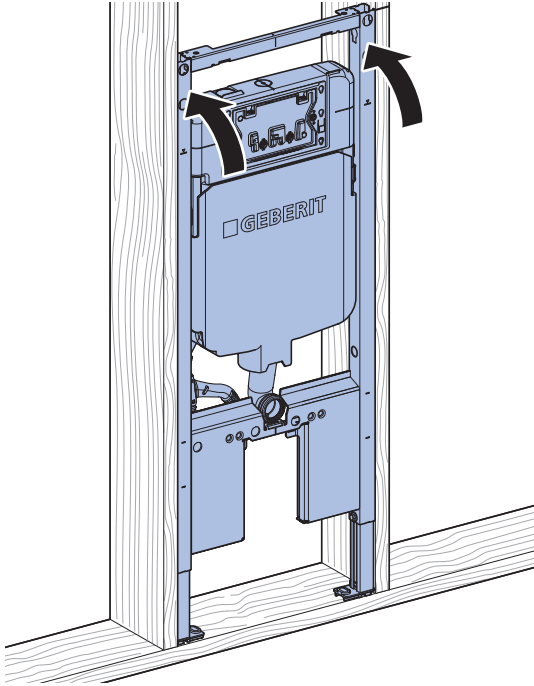
1



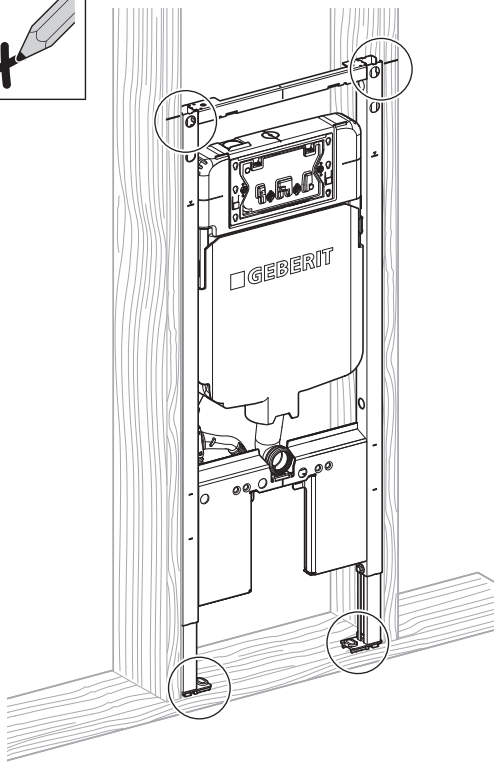
2



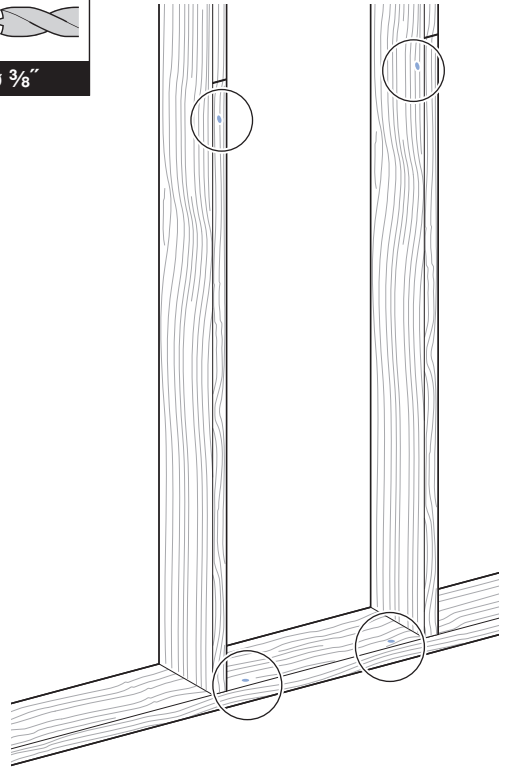
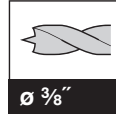
3



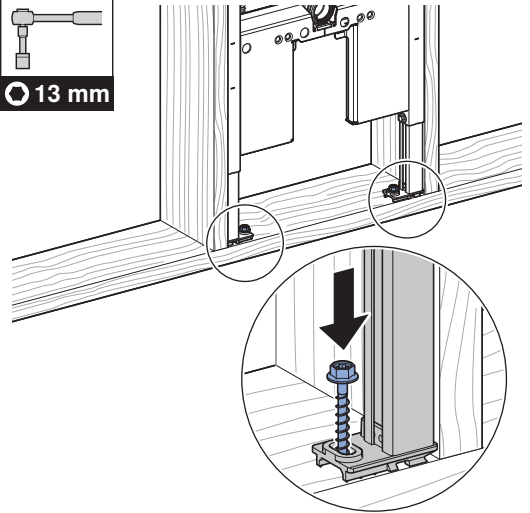
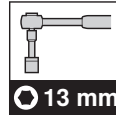
4



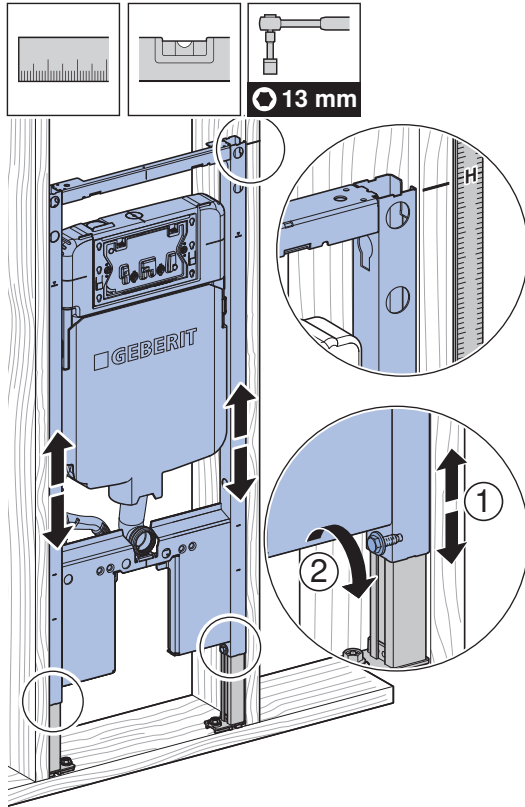
5



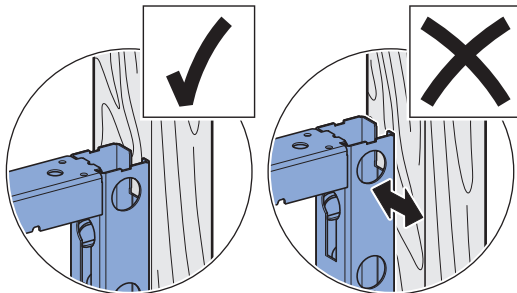
6



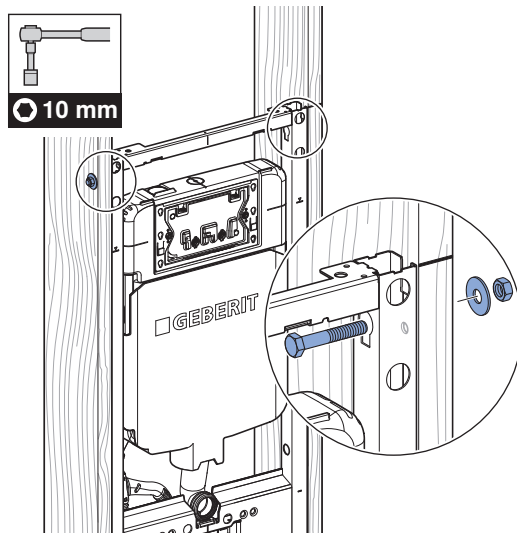
7



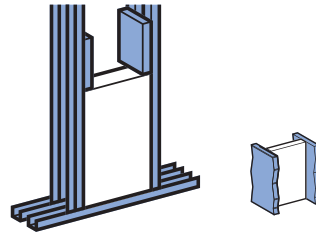
i



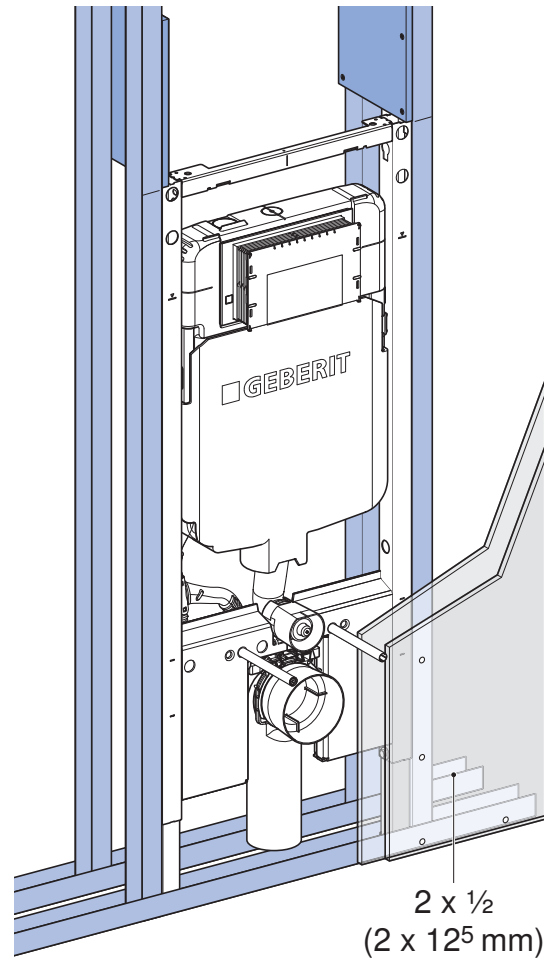
8



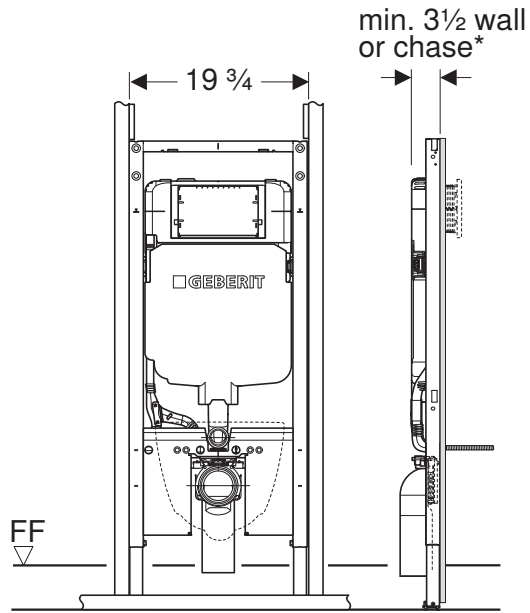
1 B



✓

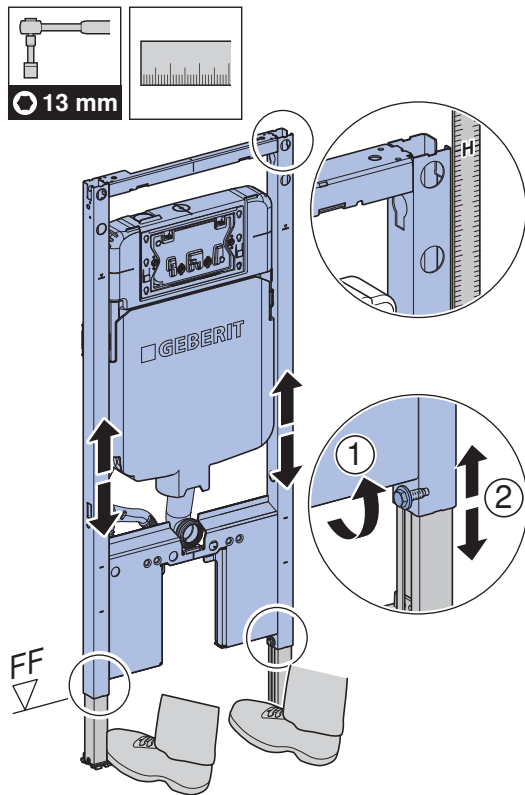


✓

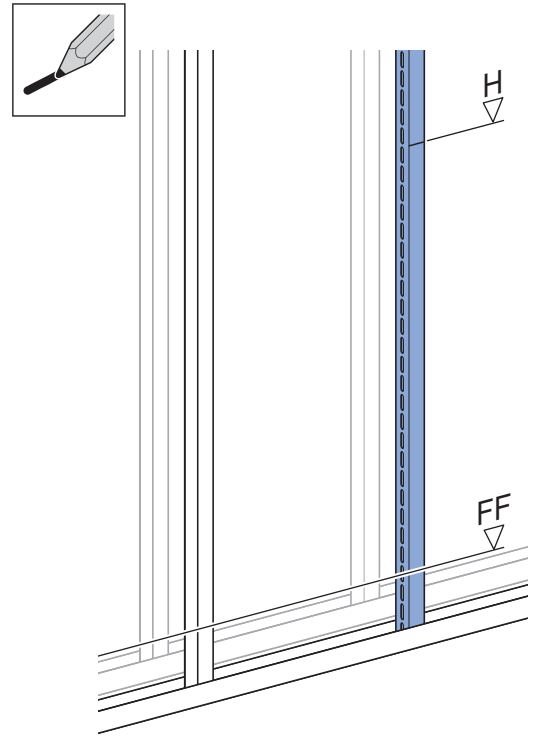


* For 3½ max. wall thickness
Vertical drainage only
For 5½ min. wall thickness
For RH, LH and vertical drainage

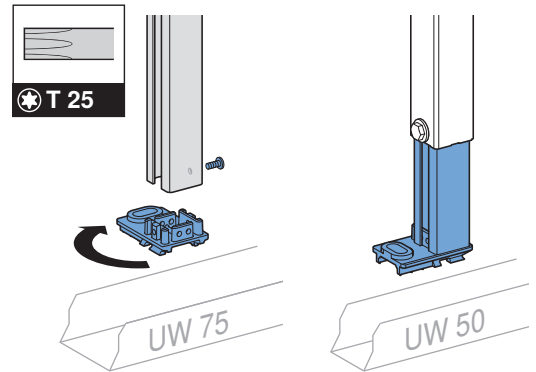
1



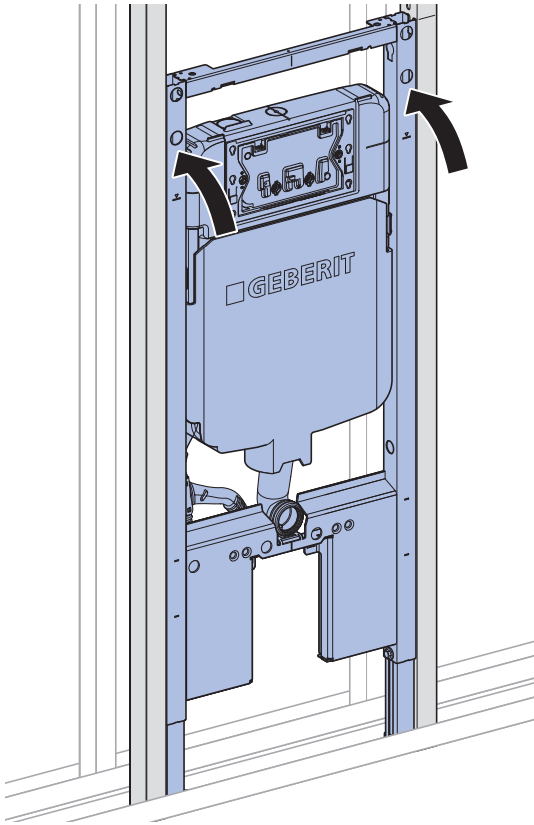
2



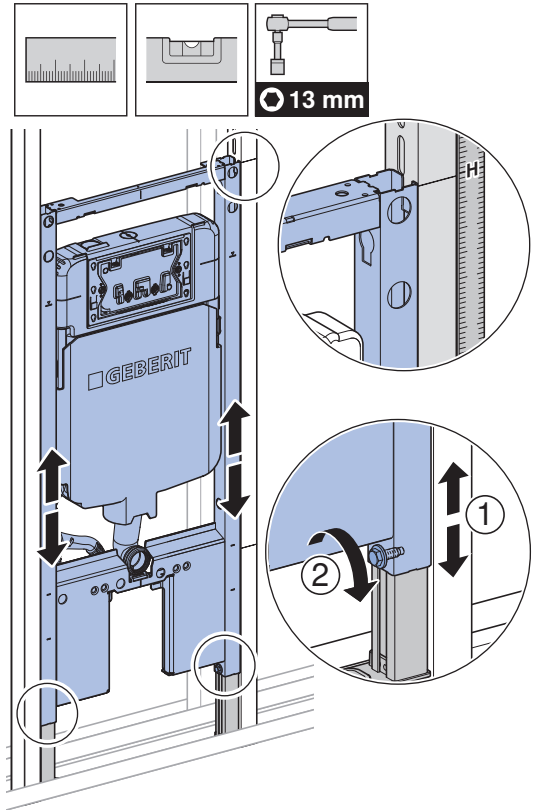
i



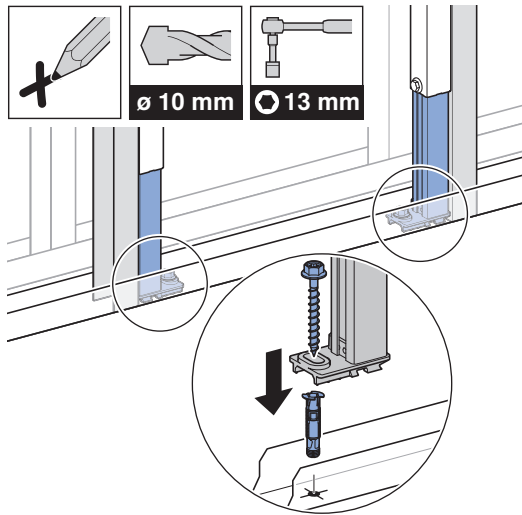
3



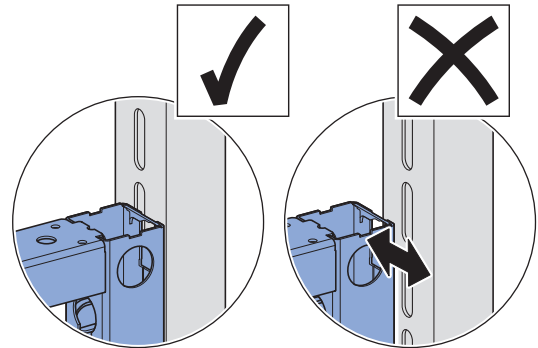
5



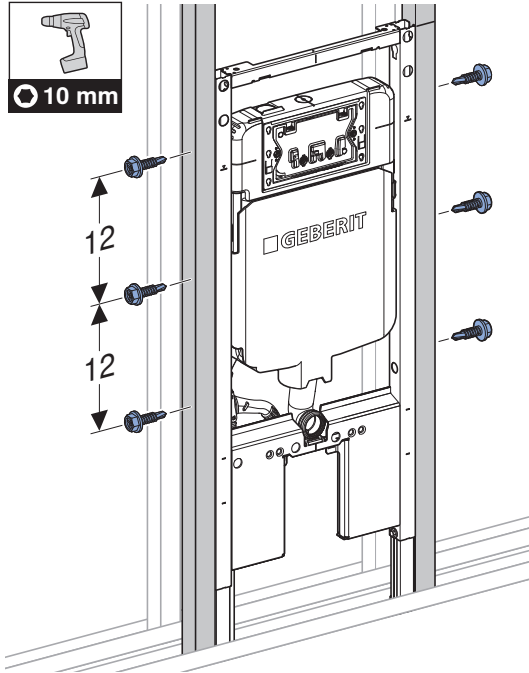
4



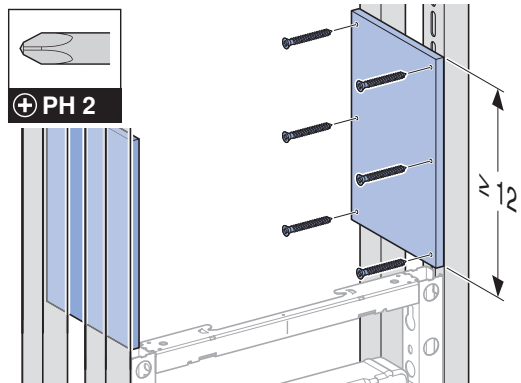
i



6

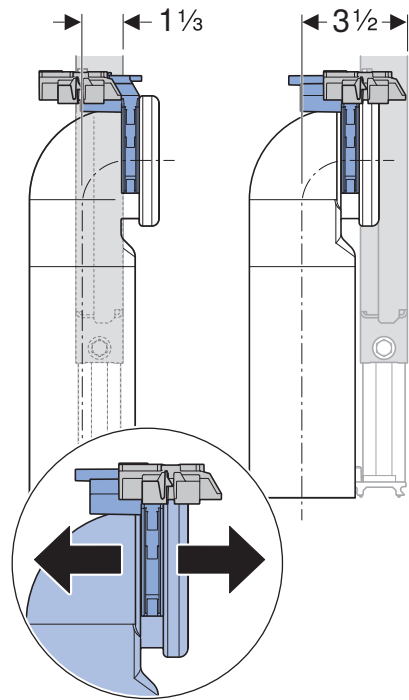


7

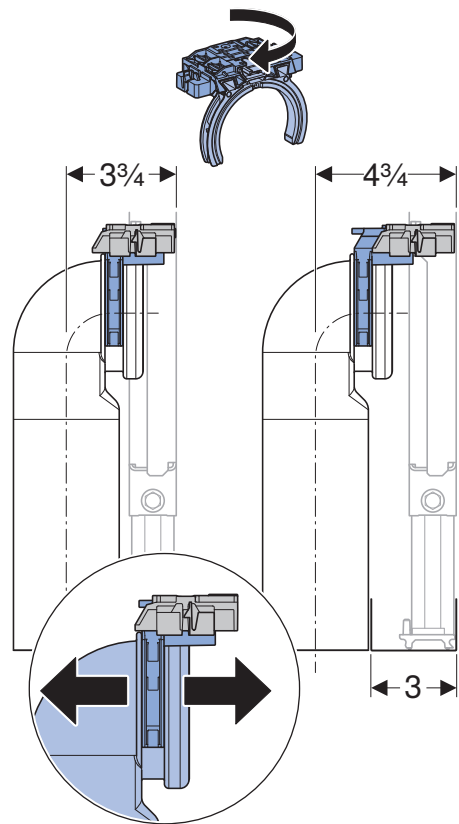


2

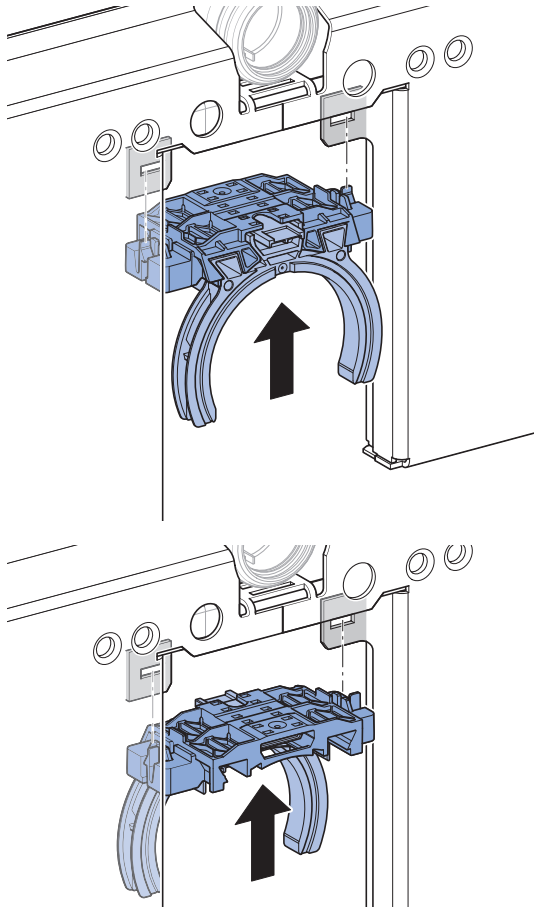
i



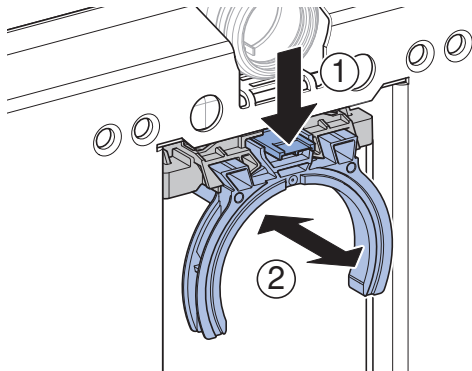
i



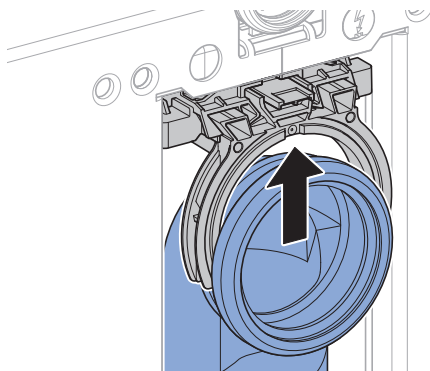
1



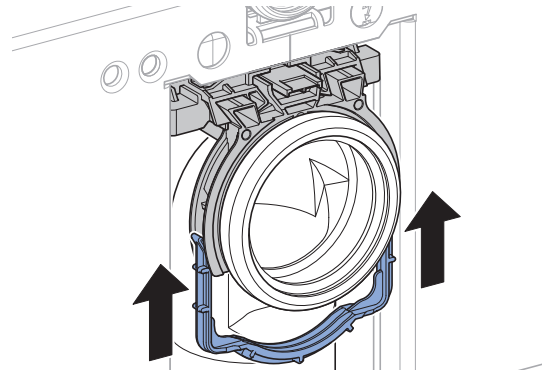
2



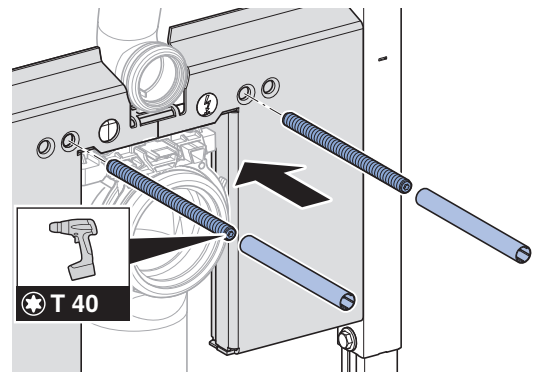
3



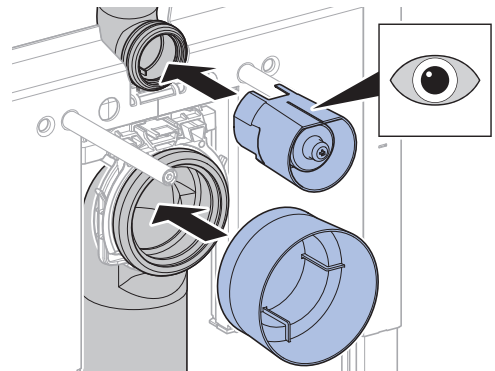
4



5

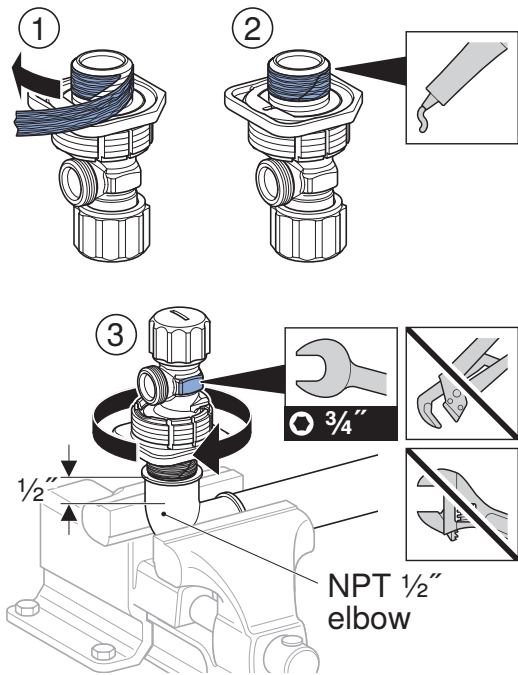


6

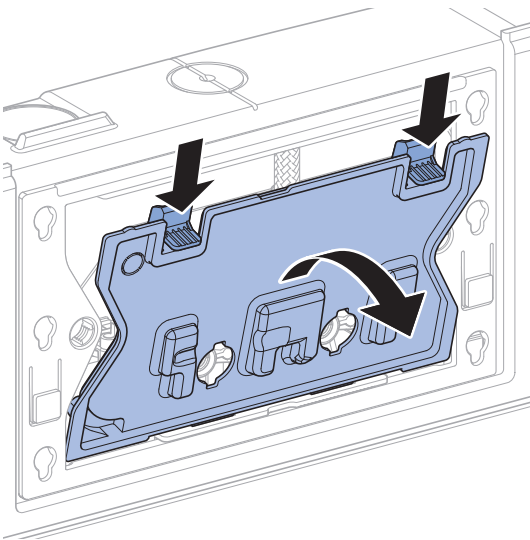


3

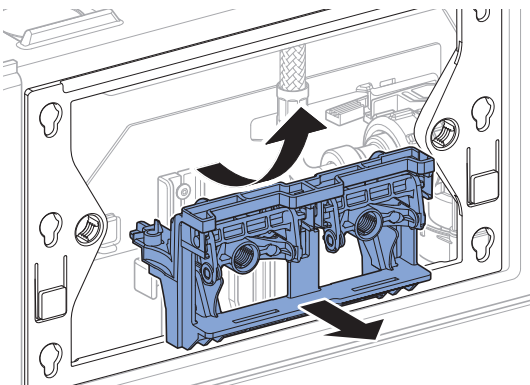
1



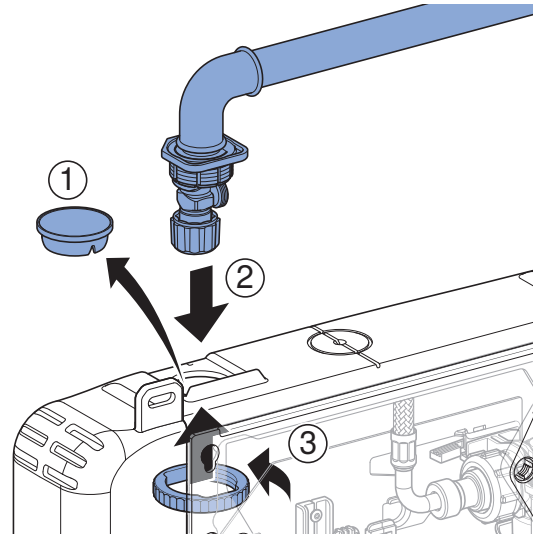
2



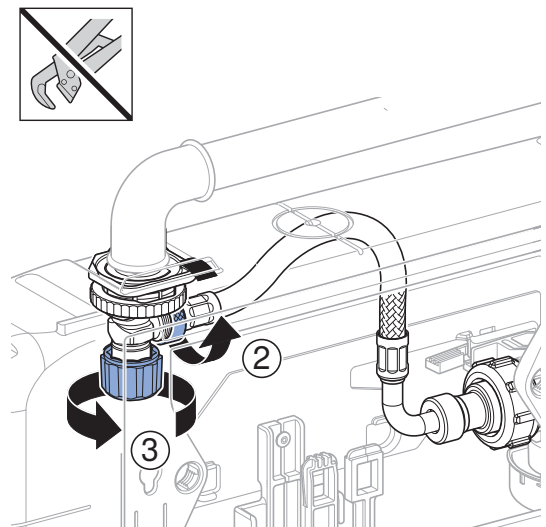
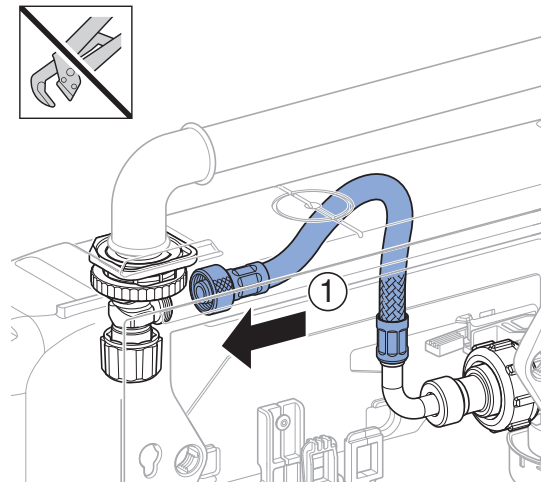
3



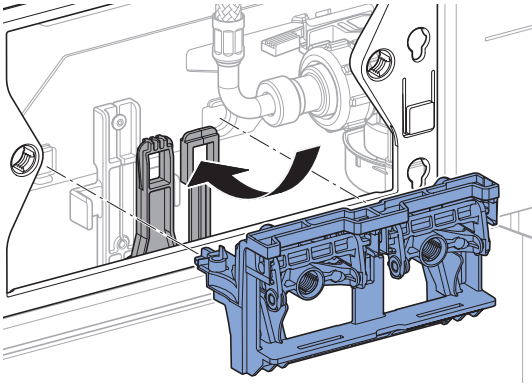
4



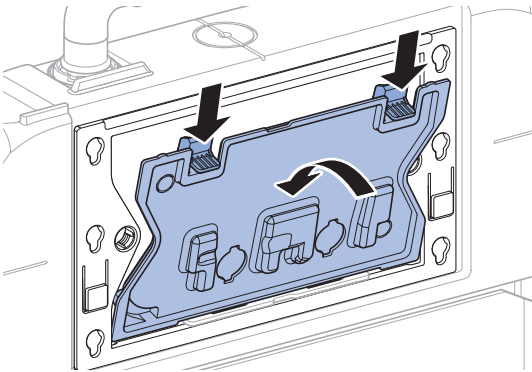
5



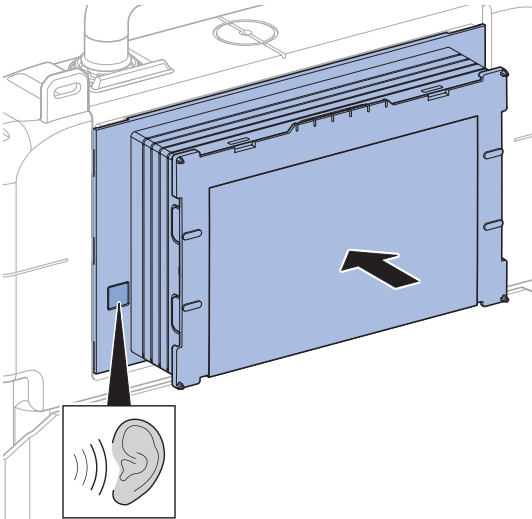
6



7



8

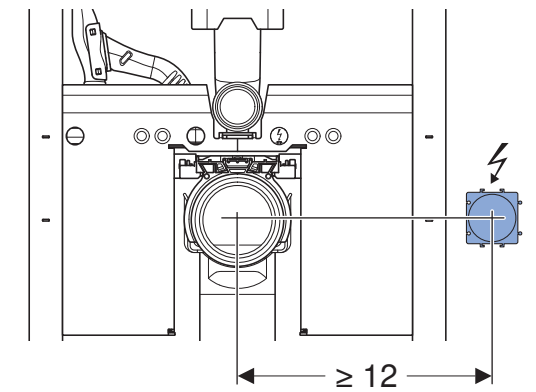
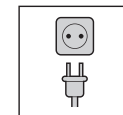
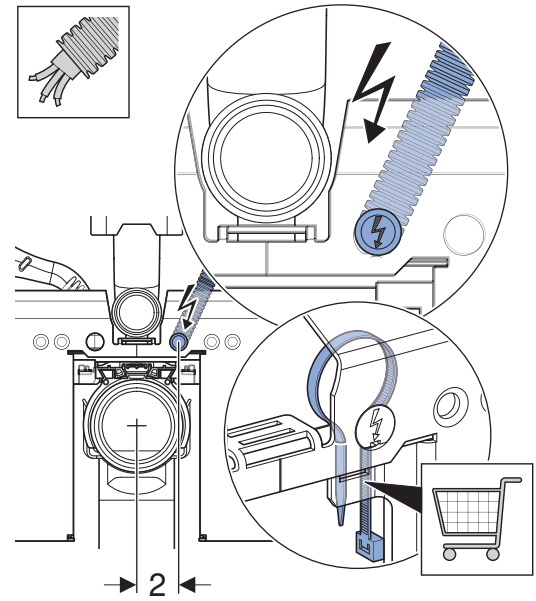
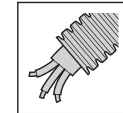


4

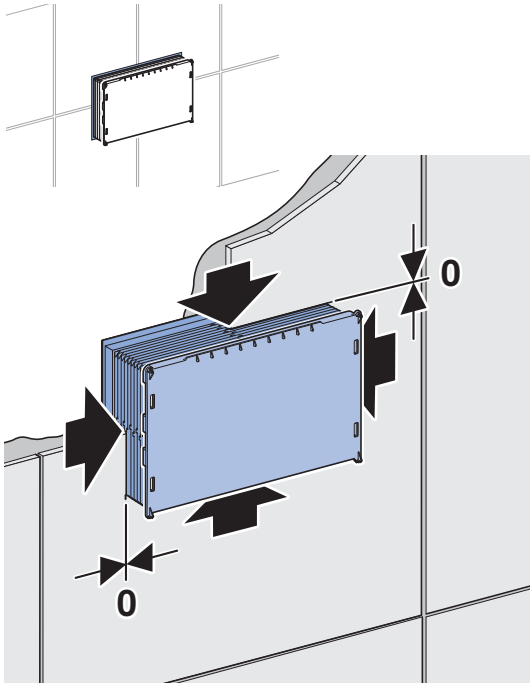
✓



i



2





Geberit
2100 South Clearwater Drive
Des Plaines, IL 60018 US
Phone: 847/803-5000
Fax: 847/803-5454
Technical: 800/832-8783
www.geberit.us