

BATH WASTE AND TRAP SYSTEMS

Replacement Parts

Replacement Parts and Kits (See page 27 for Item drawings)

| Item | Description | Model No. |
|------|--|--------------|
| 1 | TurnControl Overflow/Drain Service Kit | 242.767.00.1 |
| 2 | Brass Tee Assembly | — |
| 3 | Chicago Code Brass Tee Assembly | 241.766.00.1 |
| 4 | PushControl Overflow/Drain Service Kit | 242.768.00.1 |
| 5 | PushControl Trim Service Kits | |
| | Metal Polished Chrome | 241.726.21.1 |
| | ForeverShine™ PVD Brushed Nickel | 241.726.ID.1 |
| 6 | Plastic Polished Chrome | 241.725.21.1 |
| | Cascading Tub Filler Service Kit | 242.769.00.1 |
| 7 | Cascading Tub Filler Trim Service Kits | |
| | Metal Polished Chrome | 242.776.00.1 |
| 7.1 | Stream Former Kit | — |
| 8 | Vacuum Breaker WATTS Model No. LF288AC | — |
| 9 | See TurnControl Traditional Metal Handles table below | |
| 10 | See TurnControl Traditional Plastic Handles table in next column | |
| 11 | See Plunger Assemblies table in next column | |
| 12 | TurnControl Handle/Plunger Service Kit | 242.777.00.1 |

TurnControl Metal Handles (See page 27 for Item drawings)

| Finish | Item No. 9 Traditional Model No. |
|-----------------------------------|----------------------------------|
| Polished Chrome | 240.702.21.1 |
| Hard Coat Oil Rubbed Bronze | 240.702.HM.1 |
| ForeverShine™ PVD Polished Nickel | 240.702.IB.1 |
| ForeverShine™ PVD Brushed Nickel | 240.702.ID.1 |

TurnControl Plastic Handles (See page 27 for Item drawings)

| Finish | Item No. 10 Traditional Model No. |
|--------------------|-----------------------------------|
| Alpine White | 241.628.11.1 |
| Matte black coated | 241.628.16.1 |
| Polished Chrome | 241.628.21.1 |
| Bone | 241.628.AA.1 |
| White | 241.628.DY.1 |
| Biscuit | 241.628.FF.1 |

Plunger Assemblies (See page 27 for Item drawings)

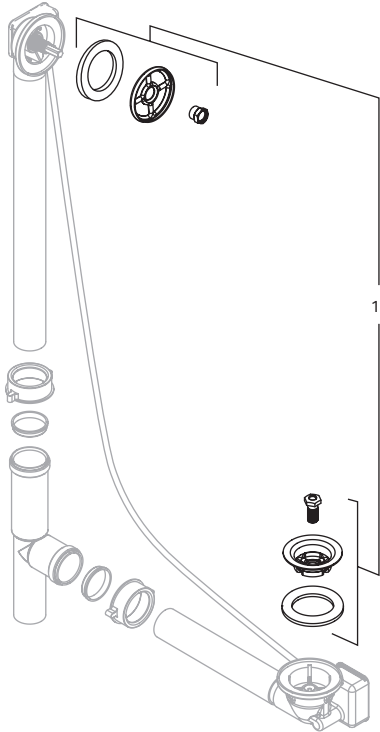
| Item | Description | Model No. |
|---------|-----------------------------------|--------------|
| 11 | Metal Polished Chrome | 241.728.21.1 |
| | Hard Coat Oil Rubbed Bronze | 241.728.HM.1 |
| | ForeverShine™ PVD Polished Nickel | 241.728.IB.1 |
| | ForeverShine™ PVD Brushed Nickel | 241.728.ID.1 |
| Plastic | Alpine White | 241.727.11.1 |
| | Matte black coated | 241.727.16.1 |
| | Polished Chrome | 241.727.21.1 |
| | Bone | 241.727.AA.1 |
| | White | 241.727.DY.1 |
| | Biscuit | 241.727.FF.1 |

Note: ForeverShine™ finishes ensure the quality and look of your Geberit BWO will last a lifetime. Geberit offers a limited lifetime warranty on ForeverShine™ products installed in residential applications.

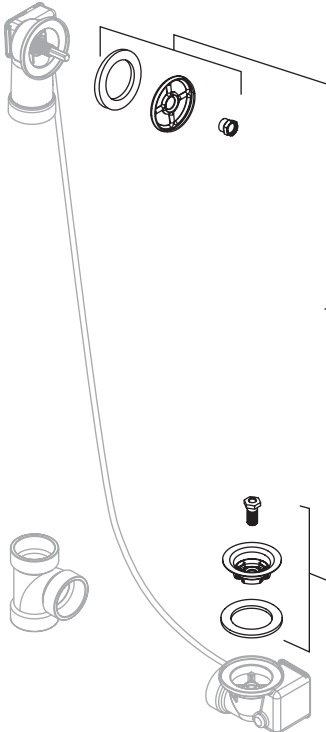
BATH WASTE AND TRAP SYSTEMS

Replacement Parts

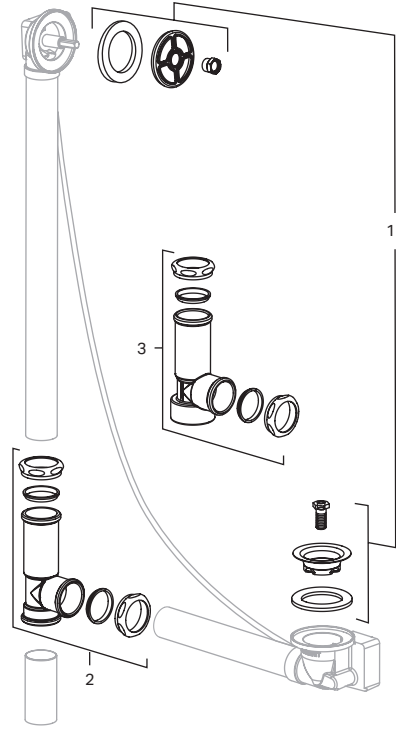
Tubular Plastic



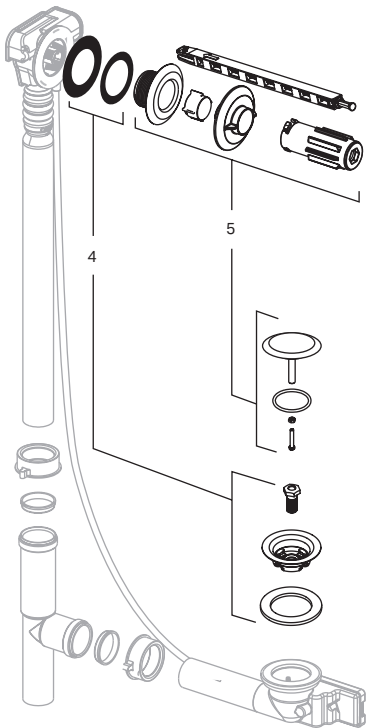
ABS/PVC



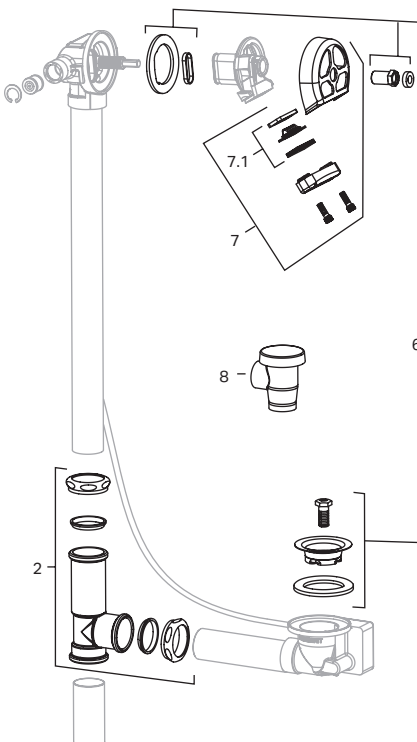
Tubular Brass



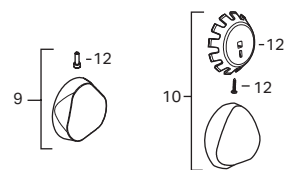
PushControl



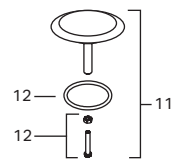
Cascading Tub Filler



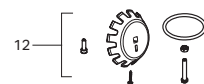
TurnControl Handle Parts



Plungers Parts



Replacement Parts Kit



Replacement Parts