

# GEBERIT INSTALLATION SYSTEM

## Wall-Hung Bidets

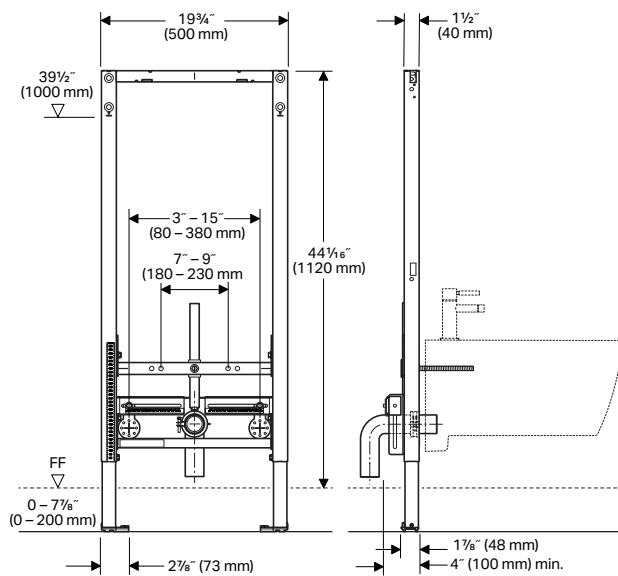
### SPECIFICATIONS

In-Wall Duofix carrier system for wall-hung bidets. System shall fit within minimum 5½" (140 mm) framing wall or plumbing chase with wood construction or steel

framing members placed 19¾" (500 mm) apart. Framing members should be capable of supporting a 880 pound (400 kg) load without damage to the wall. The bidet bowl shall be a third party listed

2-hole wall-hung type. The carrier frame shall be adjustable for bowl rim heights from 15" (381 mm) to 19" (483 mm). All components shall be compliant with applicable codes and product standards.

Model No.	Description	
111.520.00.1	Carrier frame, standard height (2025 and before)	
111.520.00.2	Carrier frame, standard height (2025 and later)	



### FEATURES

- 16-gauge, powder-coated, structural steel tubing rated to 880 lbs (400 kg) without damage to finished wall or carrier unit
- Fixture rim height adjustments from 15" (381 mm) to 19" (483 mm)
- Frame height:  
111.520.00.X = 44 1/16" (1120 mm)  
111.524.00.X = 32 1/4" (820 mm)
- Installation hardware included

### WARRANTY

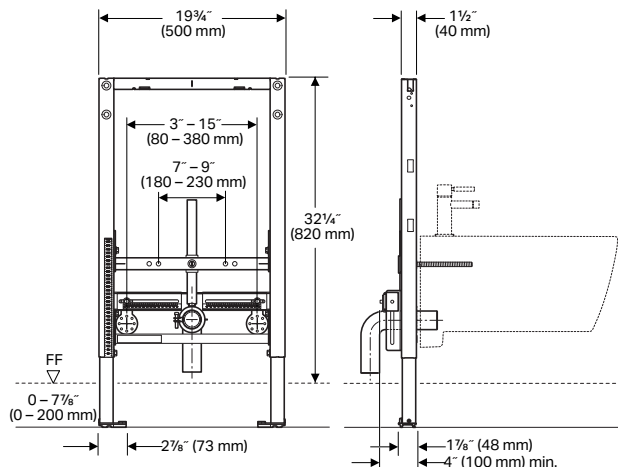
- Limited lifetime warranty on carrier.

### NOTES:

1. Geberit Duofix Carrier for 2-hole wall-hung bidet fixtures only
2. Refer to [geberitnorthamerica.com](http://geberitnorthamerica.com) for latest list of code-approved compatible bidet fixtures

Products marked with comply with the American Disabilities Act (ADA) when installed per the requirements of the latest ADA Accessibility Guidelines (ADAAG) and/or ICC/ANSI A117.1.

Model No.	Description	
111.524.00.1	Carrier frame, short height (2025 and before)	
111.524.00.2	Carrier frame, short height (2025 and later)	



**ARCHITECT/ENGINEER APPROVAL**

Job Name: \_\_\_\_\_

Date: \_\_\_\_\_ Quantity: \_\_\_\_\_

Model Specified: \_\_\_\_\_

Variations Specified: \_\_\_\_\_

Customer/Wholesaler: \_\_\_\_\_

Contractor: \_\_\_\_\_

Architect: \_\_\_\_\_

**Geberit**  
2100 S. Clearwater Drive  
Des Plaines, IL 60018  
USA

P 847-803-7777  
F 847-849-1845

[www.geberitnorthamerica.com](http://www.geberitnorthamerica.com)